

Bermuda™, Exotics™ or Chameleon™ Railing System by Monarch™

(Traditional or Colonial Balusters)

45 Degree Angle Installation

Only applicable for a clipped corner style deck and/or any place a 45 degree angled cut railing is needed.



1 New Construction where post has not been set

See Diagram #1 for setting posts in place to compensate for the desired angles

Middle of post set on an angle to the clipped corner. Every post on the clipped corner must be set on an angle.

To achieve the 45 degree angle - each rail section attaching to post must be cut at a 22.5 degree angle ($2 \times 22.5 = 45$ degree angle post). Use swivel brackets for attachments.

Note: If deck, porch and/or stairs do not include existing 4" X 4" posts, use Monarch™ metal post supports, sold separately. See Exotics™, Bermuda™, and/or Chameleon™ installation guide #10, 10A & 10B.

2 Existing applications where post is pre-set

See Diagram #2 for instructions on how to cut the rail kits to make the compensation for your desired angles when posts are already set in place

When a post has been pre-set and cannot be changed only a "Birds Mouth Cut" will work.



Hardware kit contents:

(18) 1½" - #8 wood screws for attaching balusters; (18) 3" - #8 wood screws for attaching balusters to bottom rail; (8) 1/4" X 1½" lag bolts for attaching bracket to posts; (8) 1 1/8" - #8 stainless wood screws for attaching brackets to retainer and brackets to bottom rail; (8) washers for use with the 1 1/8" - #8 stainless wood screws; (3) 3/4" - #8 stainless wood screws for fastening/ securing the top rail /retainer assembly; (3) 1" - #8 stainless wood screws for fastening center support to 4" flat center support bracket and 4" flat bracket to bottom rail; (4) 'L' brackets; (1) 4" flat bracket; (8) plastic lag bolt head caps.

45 DEGREE ANGLE INSTALLATION

Diagram #1

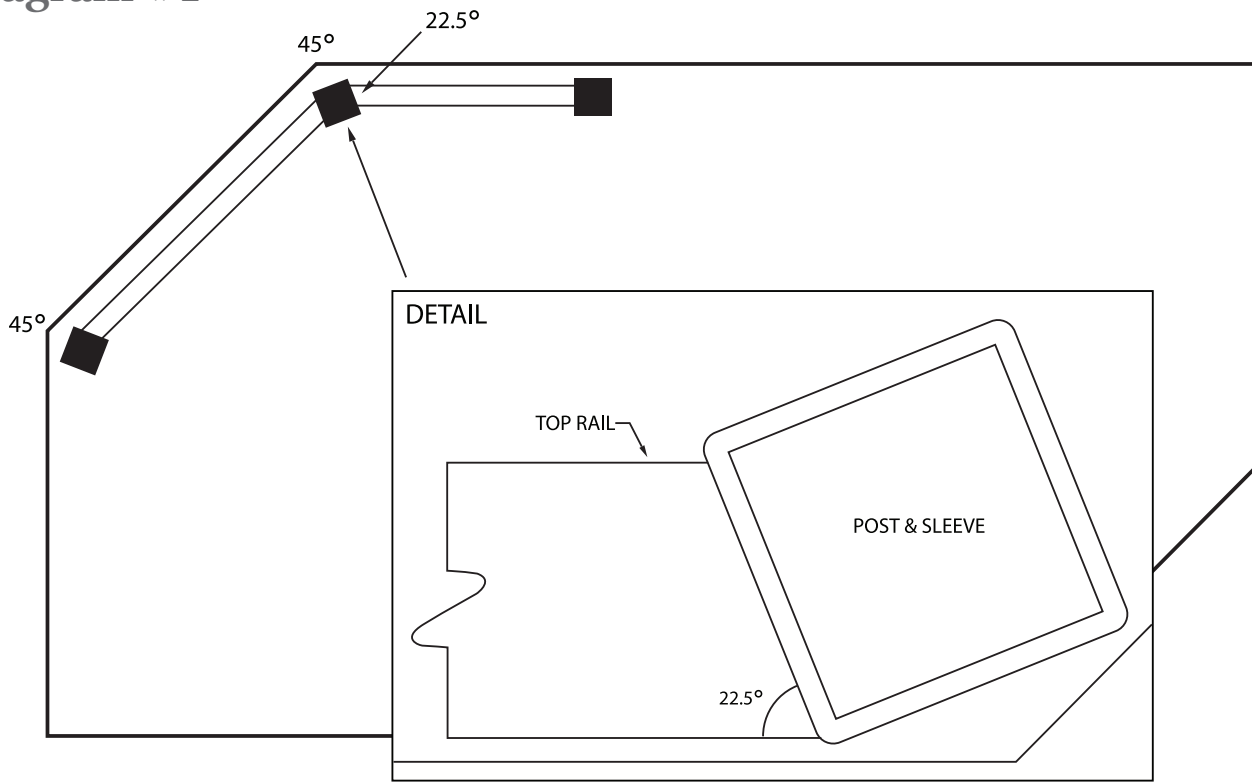


Diagram #2

