

Installation for Residential Green Tree™ Decking by Monarch®

1 Joist Spacing

- Maximum spacing of 400mm on center for projects perpendicular to joists.
- Maximum spacing of 300mm on center for projects diagonal to joists.
- Additional joist or blocking may be necessary for end to end installation. (Diagram 1)

Note: Unobstructed air flow is required below deck. Add vents at various rim joist locations for decks with limited ventilation.

2 Board Spacing

To compensate for eventual expansion, deck boards must be properly gapped during installation. (Diagram 1)

- 6.5mm gap required between building structure and deck boards.
- 3.5mm gap required between all board edges.
- End to end spacing:
 - 3.5mm gap required for temperatures above 16° degrees (during installation).
 - 6.5mm gap required for temperatures below 16° degrees (during installation).

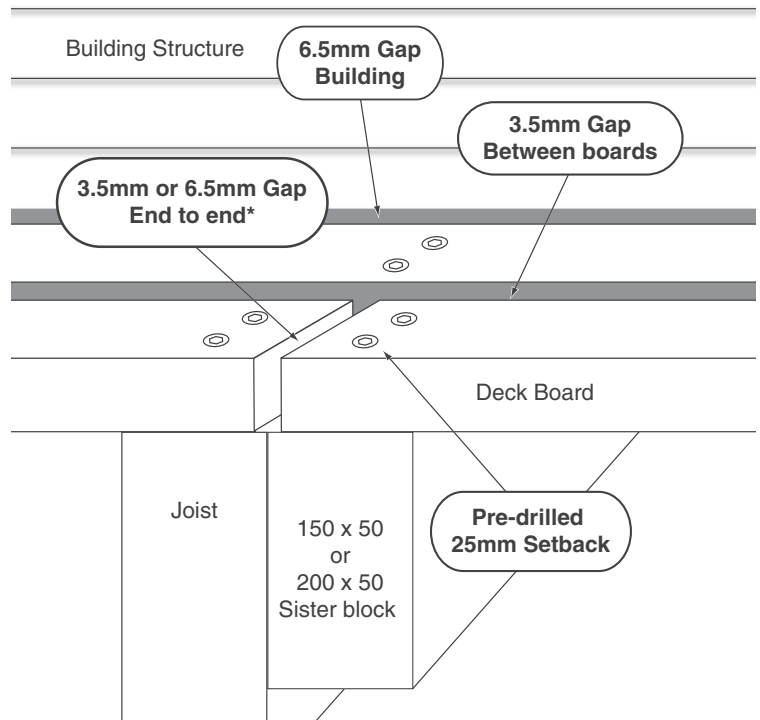
Note: Failure to adhere to board spacing guidelines will result in eventual cracking. The Monarch® Residential Warranty does not cover cracks generated by incorrect board spacing.

3 Fastening Requirements

Composite Deck Screws, Stainless Steel Deck Screws, and Concealed Fastening Systems are accepted fasteners per manufacturer's guidelines.

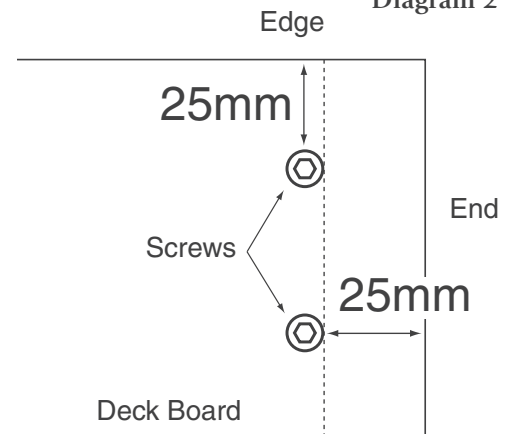
- All boards must have two screws at each end.
- Pre-drilled holes are required for all end fasteners.
- Pre-drilled fastener holes must be the same diameter as screw shaft for all end fasteners to prevent splitting.

Diagram 1



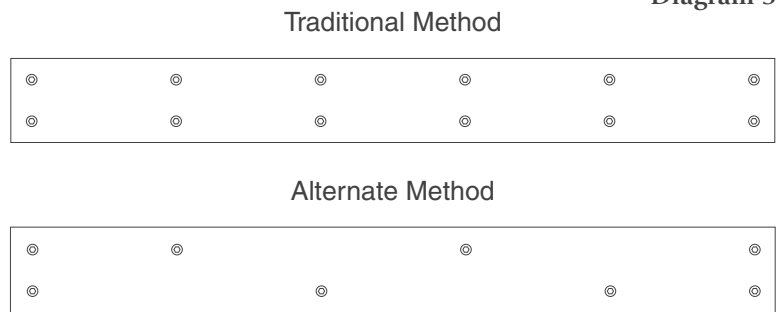
*Dependent upon temperature during installation

Diagram 2



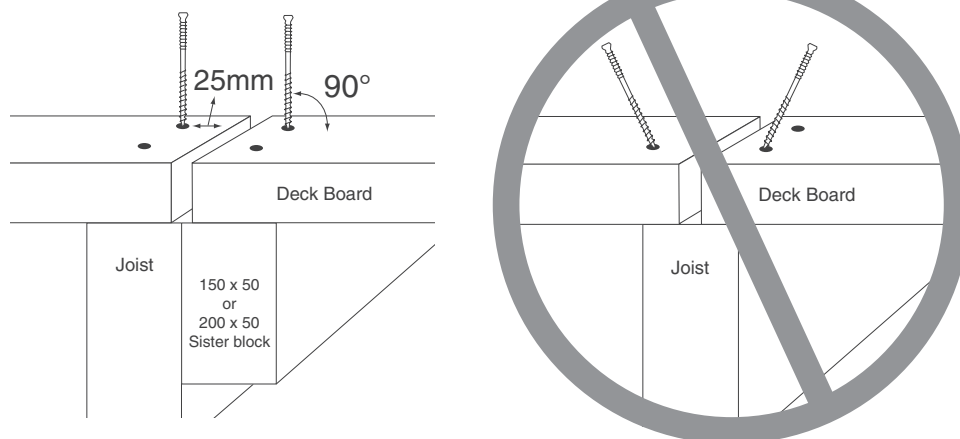
- Fasteners must be installed a minimum of 25mm (edge of fastener to edge of board) from the end and edge of every board. (Diagram 2)
- Do not over tighten fasteners.
- Two fastening patterns are accepted for installation. (Diagram 3)
 - Traditional Method: two fasteners at ends, two fasteners at each joist.
 - Alternate Method: two fasteners at each board end, one fastener per joist in an alternating pattern.
- Screws must be driven at a 90° degree angle to decking surface. (Diagram 4)

Diagram 3



Note: Incorrect screw and/or fastener spacing will result in immediate or eventual deck board cracking and is not covered under the Monarch® Residential Warranty.

Diagram 4



4

Fascia Installation (Diagram 5)

- Substrate (rim joist) of timber is required.
- Attach fascia with 3 screws every 300mm.
- Fasten a minimum of 50mm from end and edge of board.

Diagram 5

