

Installation for Residential Exotics® Edge Decking by Monarch®

Diagram 1

1 Joist Spacing

- Maximum spacing of 16" on center for projects perpendicular to joists.
- Maximum spacing of 12" on center for projects diagonal to joists.
- Additional joist or blocking may be necessary for end to end installation. (Diagram 1)

Note: Unobstructed air flow is required below deck. Add vents at various rim joist locations for decks with limited ventilation.

2 Board Spacing

To compensate for eventual expansion, deck boards must be properly gapped during installation. (Diagram 1)

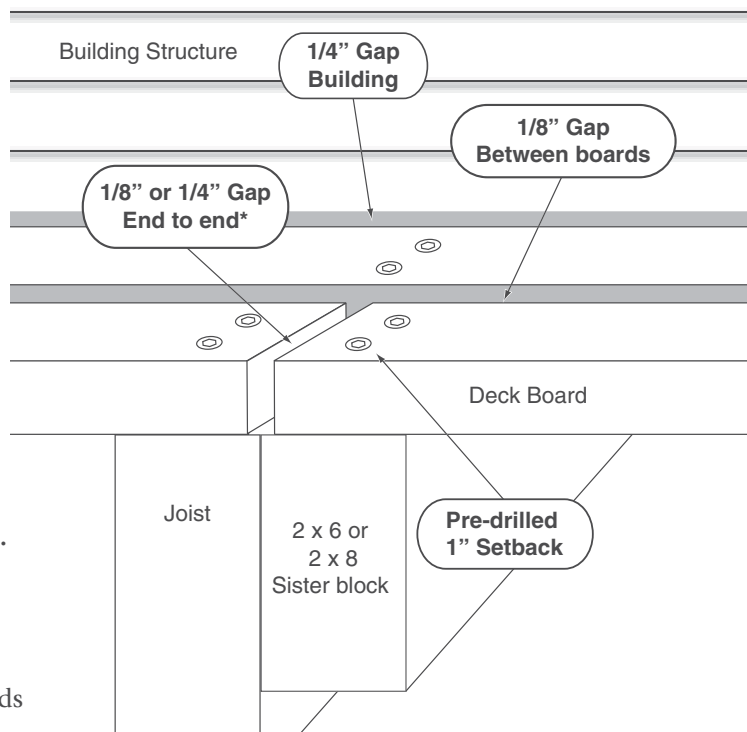
- 1/4" gap required between building structure and deck boards.
- 1/8" gap required between all board edges.
- End to end spacing:
 - 1/8" gap required for temperatures above 60° degrees (during installation).
 - 1/4" gap required for temperatures below 60° degrees (during installation).

Note: Failure to adhere to board spacing guidelines will result in eventual cracking. The Monarch® Residential Warranty does not cover cracks generated by incorrect board spacing.

3 Fastening Requirements

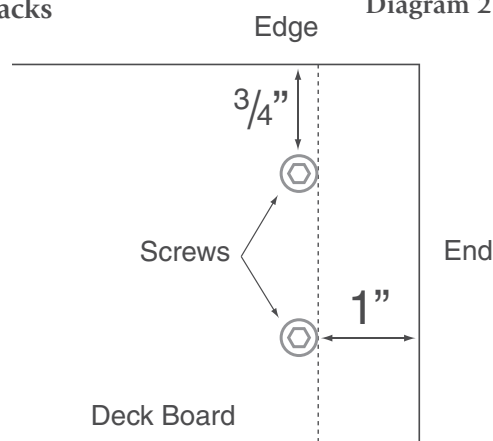
Composite Deck Screws, Stainless Steel Deck Screws, and Concealed Fastening Systems are accepted fasteners per manufacturer's guidelines.

- All boards must have two screws at each end.
- Pre-drilled holes are required for all end fasteners.
- Pre-drilled fastener holes must be the same diameter as screw shaft for all end fasteners to prevent splitting.



*Dependent upon temperature during installation

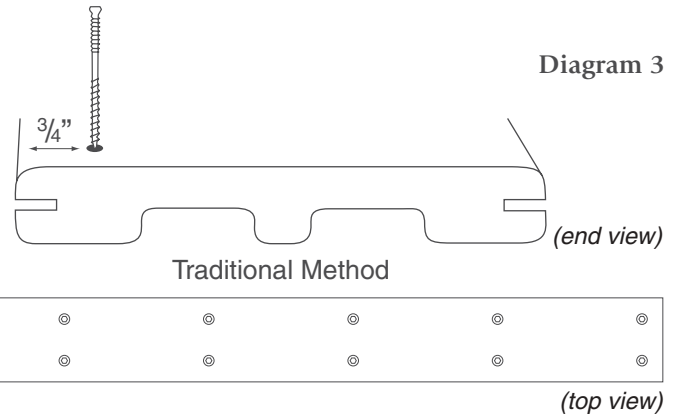
Diagram 2



- Fasteners must be installed a minimum of 1" (edge of fastener to edge of board) from the end and 3/4" from the edge of every board. (Diagram 2)
- Do not over tighten fasteners.
- Two fastening methods are accepted for installation.

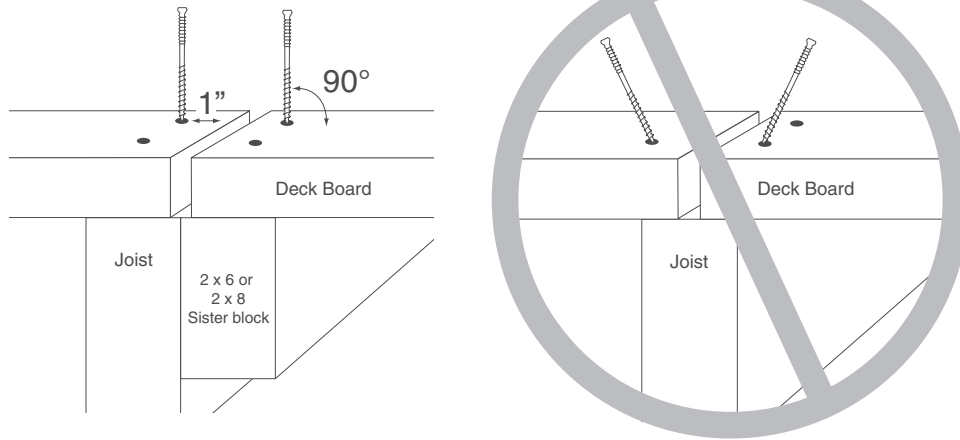
- Traditional method with screw near center of outside legs 3/4" from board edge. (Diagram 3)
- Using crown clip fastening system. (See complete installation instructions on fastener box.)

- Screws must be driven at a 90° degree angle to decking surface. (Diagram 4)



Note: Incorrect screw and/or fastener spacing will result in immediate or eventual deck board cracking and is not covered under the Monarch® Residential Warranty.

Diagram 4



4

Fascia Installation

(Diagram 5)

- Substrate (rim joist) of lumber is required.
- Attach fascia with 3 screws every 12".
- Fasten a minimum of 2" from end and edge of board.

